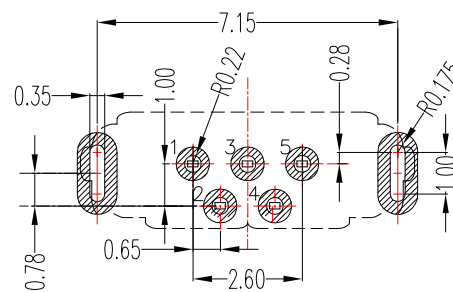
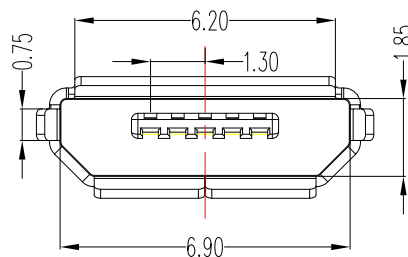
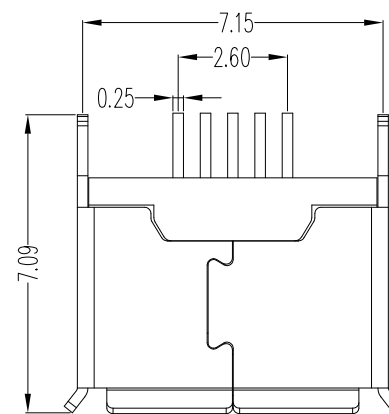
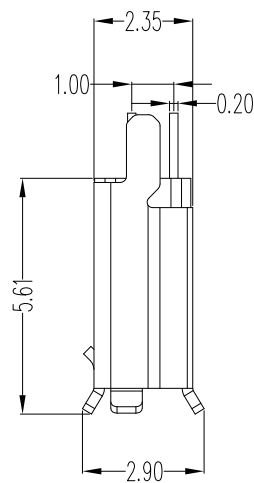
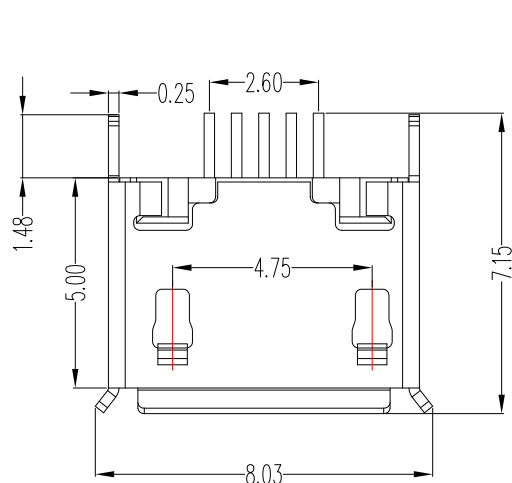




# MRUSB-5B-V-x-S129

鍍層厚度:

Blank : 1u"
2 : 15u"
3 : 30u"



P.C.B LAYOUT MOUNTING PATTERN

## SPECIFICATIONS

### 1.Electrical:

- 1.1 Current Rating: 1.5Ampere Maximum for Pin1&Pin5  
0.5Ampere Maximum for Pin2&Pin3&Pin4
- 1.2 Voltage Rating: 30V
- 1.3 Contact resistance : 30mΩ max.
- 1.4 Dielectric withstanding voltage : 100 V AC.
- 1.5 Insulation resistance : 100MΩ min.

### 2.Mechanical:

- Mate and unmate force:
- Mate force : 35N MAX
- Unmate force : 10N MIN

### 3.Environment:

- Operating Temperature : -30°C to +80°C.

### 4.Material:

- Housing : LCP,UL94V-0
- Contact: Phosphor Bronze
- Shell: SUS

### 5.Plating Layer:

- Contact: Plated Gold in Mating Area ;  
Gold Plated on Solder Balls ;  
Nickel under plated overall
- Shell: Tin under Plated surface layer

6	新增2.35尺寸	Jack	063015
5	更新PCB LAYOUT尺寸	Jack	050615
4	更新材質	Jack	092214
3	更新尺寸	Jack	053014
2	更新為A0版	Jack	040814
1	更新材質及外殼電鍍	Jack	121813
ITEM NO.	DESCRIPTION	DRAWN	DATE

**CONTACT** 建倚科技股份有限公司  
CONTACT TECHNOLOGY CORP.

TOLERANCE UNLESS OTHERWISE STATED :	Up to 5 ±0.2	3RD. ANGEL'S	UNITS	MM
	Above 5 ~ 15 ±0.3			
	Above 15 ~ 30 ±0.4			
	Above 30 ~ 50 ±0.5			
	Angle ±0.3°			

DRAWN BY:	DATE	MAT'L	TITLE	CONNECTOR
Jack Lu	06/30/15			
CHECKED BY:	DATE	FINISH	MODLE	MICRO USB B TYPE 180 度 DIP 腳
Jacky Chen	06/30/15			
APPROVED BY:	DATE	SCALE	DWG NO.	MRUSB-5B-V-x-S129
Tony Kao	06/30/15	1 : 1		
		SHEET NO.	PART NO.	MRUSB-5B-V-x-S129
		1 of 1		
				SIZE A4
				VER A4